

TOYOTA MOTOR CORPORATION

U.S. OFFICE

9 West 57th Street, Suite 4550

New York, N. Y. 10019

Telephone (212) 833-0803

86V-132 (01)

September 30, 1986

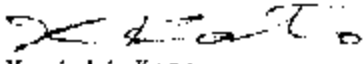
Mr. Philip Davis, Director
Office of Defects Investigation
National Highway Traffic Safety Administration
400 Seventh Street, S.W.
Washington, D.C. 20590

RE: Defect Information Report

Dear Mr. Davis:

In accordance with the requirements of the National Traffic and Motor Vehicle Safety Act of 1966 and 49 CFR Part 573, Toyota Motor Corporation hereby submits a Defect Information Report concerning certain 1982 model year Cressida, Celica and Celica Supra vehicles.

Sincerely,
TOYOTA MOTOR CORPORATION


Kenichi Kato
General Manager
U.S. Office

KK:stm
Enclosure

RECEIVED
933 OCT -2 PM 2 1986
NATIONAL HIGHWAY TRAFFIC SAFETY ADMINISTRATION

DEFECT INFORMATION REPORT

86V-132 (02)

1. Manufacturer's Corporate Name:

Toyota Motor Corporation
Toyota-shi, Aichi-ken
Japan

Designated Importer:

Toyota Motor Sales, U.S.A., Inc.
19001 S. Western Avenue
Torrance, CA 90509

2. Vehicle Description:

Make Model	Model Year	VIN Range VDS	Number*	Production Period
Toyota Cressida	1982	MX62E MX62W	0029165 thru 0031464	Aug. 1, 1981 thru Sep. 10, 1981
Toyota Celica	1982	RA64L	0000039 thru 0000273	Aug. 18, 1981 thru Sep. 4, 1981
		RA64C RA64L	6000023 thru 6003343	
Toyota Celica Supra	1982	MA67L	0002021 thru 0004015	Aug. 7, 1981 thru Oct. 20, 1981

Note: Although the subject vehicles with the defective cruise control system are within the above VIN range, not all vehicles in this range were imported to the United States.

All above Cressida models were equipped with the cruise control system as standard equipment, but the Celica and Celica Supra models were equipped with the system as a factory-installed option only.

* "Number" consists of plant of manufacture code and sequential number of VIN.

3. Number of Subject Vehicles:

86V-132 (03)

4,561 units

4. Percentage Estimated to Contain Defect:

Approximately 53% of the subject vehicles (about 2,400) were equipped with cruise control computers built in the period during which the defective computers were manufactured.

5. Description of Defects:

During the manufacturing process of the cruise control computer, the printed circuit board may have had improper application of its coating, which could cause the soldered terminals of the IC to develop cracks. Continuing use of the cruise control system may lead to a complete separation of the soldered terminals, resulting in non-conductivity of the circuit.

In the worst failed circuit case, should the engine be started with the cruise control main switch in the "On" position, the engine speed may instantly race, and if the driver of an automatic transmission-equipped vehicle shifts into "D" or "R" position without firmly applying the brake pedal, the vehicle could suddenly accelerate.

6. Chronology of Principal Events:

June 1986 : Toyota conducted non-destructive examination of failed computer in NHTSA possession.

Aug. 1986 : NHTSA provided failed computer to Toyota for detailed analysis, including destructive testing.

Toyota checked relevant manufacturing processes and reviewed production records. In addition, we recovered computers from our domestic market produced before and after date of manufacture of failed computer.

Sep. 1986 : Based upon detailed examination of failed computers (the second arrived mid-Sep.), Toyota determined cause of problem affecting computers manufactured before August 20, 1981 for use in 1982 vehicles.

Toyota announced safety recall of affected vehicles.

7. Corrective Repair Action:

All owners will be notified by first class mail to return their vehicle to a Toyota dealer to have the cruise control computer inspected and, if manufactured during the subject period, replaced at no cost.

8. Tentative Campaign Schedule:

Toyota will commence mailing owner notification letters as soon as possible. Copies of the owner letter and dealer instructions will be submitted as soon as they are available.

TOYOTA

TOYOTA MOTOR SALES, U.S.A., INC.

86V-132

TELEPHONE
(213) 618-4000
TELEX 873148

19001 S. WESTERN AVE
P.O. BOX 2891
TOWRANCE, CALIFORNIA 90508

22 October 1986

TO: All Private Distributor/Regional General Managers
RE: 1982 CRESSIDA, CELICA, AND CELICA SUPRA CRUISE CONTROL CAMPAIGN -
(SSC #610)

Toyota will conduct a Special Service Campaign on early production 1982 Cressidas, Celicas, and Celica Supras to inspect, and if necessary, replace the cruise control computer.

This campaign is part of Toyota's continuing efforts to maintain customer satisfaction.

The scheduled mailing dates for this campaign are:

Dealer notification: October 24, 1986
Owner notification: October 31, 1986

Details of the campaign instructions to be sent to the dealers and the owner notification letter are attached for your information. Please review this information with your staff to ensure that this campaign is conducted in an efficient manner with the least possible inconvenience to Toyota owners.

Thank you for your support and cooperation.

Sincerely,



Robert E. Bennett
Corporate Service Manager

REB:trf/A:024-23.sm

cc: Private Distributor/Regional Service Manager
Private Distributor/Regional C/R Manager
Private Distributor/Regional Parts Manager

Attachments:

Dealer/Service Manager letter
Owner notification letter
Technical Instructions

ATTENTION SSC# 610

TOYOTA

TOYOTA MOTOR SALES, U.S.A., INC.

TELEPHONES
(213) 816-4000
TELEX 879148

19001 S. WESTERN AVE.
P.O. BOX 2891
TORRANCE, CALIFORNIA 90509

24 October 1986

TO: All Toyota Dealers and Service Managers

RE: 1982 CRESSIDA, CELICA, AND CELICA SUPRA CRUISE CONTROL CAMPAIGN
(SSC #610)

Toyota will conduct a Special Service Campaign on early production 1982 Cressidas, Celicas, and Celica Supras to inspect, and if necessary, replace the cruise control computer.

Known owners of these vehicles will be notified by mail on October 31, 1986. Most customers will bring their owner notification with them. However, if a customer brings their vehicle to you without a notification letter and it falls within the VIN ranges listed below, please perform the repair according to the attached instructions.

1. Vehicles Involved

MAKE AND MODEL	MODEL YEAR	VIN RANGE		PRODUCTION PERIOD
		VDS	NUMBER	
TOYOTA CELICA	1982	RA64L	0000039-0000273	AUGUST 1981 TO SEPTEMBER 1981
		RA64C RA64L	6000023-6003343	
		TOYOTA SUPRA	1982	MA67L
TOYOTA CRESSIDA	1982	MX62E MX62W	0029165-0031464	AUGUST 1981 TO SEPTEMBER 1981

2. Inspection/Replacement Procedures

Please refer to the attached technical instructions for details of the inspection/replacement procedures.

3. Parts Ordering

The cruise control computer will be available by manual allocation through your facing Parts Distribution Center. The VIN must be

provided when the computer is ordered. The part required for this campaign is:

MODEL	PART NUMBER	PART NAME	QUANTITY
Cressida	88240-22081	Computer Assembly Speed Control	1
Celica and Celica Supra	88240-14140		1

4. Completion Label

Following the completion of the special service campaign, a SSC completion label will be affixed on the firewall next to the factory ID plate. Additional SSC completion labels may be ordered through the non-parts system on a 1450 order form or through the TDN system.

PART NAME (NON PARTS)	PART NUMBER	QUANTITY
Campaign Completion Labels	00410-01917	# of Sheets (50 Labels/Sheet)

5. Inspection/Replacement Reimbursement Procedures

Submit Special Service Campaign (SC type) claim using the following operation codes:

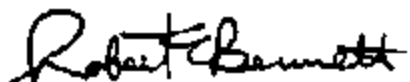
SSC#	MODELS	OPERATION CODES*	DESCRIPTION	FLAT RATE HOUR
610	Cressida	650041	Inspect cruise control computer	0.6
		650042	Inspect and replace cruise control computer	1.3
	Celica	650041	Inspect cruise control computer	0.5
		650042	Inspect and replace cruise control computer	1.1
	Celica Supra	650041	Inspect cruise control computer	0.5
		650042	Inspect and replace cruise control computer	1.1

*Operation codes include 0.1 hour for administrative expenses

Please review the enclosed instructions with your staff to familiarize them with the procedures to implement this campaign. If you have any questions concerning this campaign, please contact your region/private distributor office.

Thank you for your support and cooperation.

Sincerely,

A handwritten signature in cursive script that reads "Robert E. Bennett".

Robert E. Bennett
Corporate Service Manager

TOYOTA

TOYOTA MOTOR SALES, U.S.A., INC.

TELEPHONES
(213) 618-4000
TELEX 873146

18011 S. WESTERN AVE
P.O. BOX 2661
TORRANCE, CALIFORNIA 90509

October 1986

Dear Toyota Owner:

This notice is sent to you in accordance with requirements of the National Traffic and Motor Vehicle Safety Act.

Toyota has determined that a defect which relates to Motor Vehicle safety may exist in certain early production 1982 model year Celicas, Supras and Cressidas equipped with the Cruise Control System.

During the manufacturing process of the cruise control computer, the circuit board coating may have been improperly applied and result in cracks in the terminals of the integrated circuits. Under the worst condition, the terminals may break causing an increase in engine speed during cruise control operation and may result in a vehicle crash.

Consistent with Toyota's continuing interest in your satisfaction, we urgently request that you contact your Toyota dealer to arrange for a free inspection of the cruise control computer. The computer will be removed and checked for its production date code and if found to be satisfactory, the computer will be reinstalled and the vehicle returned to you.

However, if the production date code indicates that the computer is part of the suspected group, it will be temporarily removed. The dealer will then order a new replacement computer for your vehicle. The part arrival should not take longer than a few days. The actual inspection labor time is approximately 30 minutes. If the computer does require replacement, another 40 minutes will be required after the dealer has received the part to reinstall the computer at no cost to you; however, additional time may be necessary depending on your dealer's schedule.

Your Toyota dealer is equipped with all necessary equipment and has been provided with instructions for making this correction. If however, you feel that the dealer has failed to remedy the defect within a reasonable time, please contact your nearest Toyota Distributor's office listed in this letter for assistance. If you are still not satisfied, you have the right to submit a complaint to the Administrator, National Traffic Safety Administration, Washington, D.C. 20590 or call their toll free Auto Safety Hot Line (800) 424-9393 (Washington, D.C. area call 426-0123).

We urge you to make prompt arrangements with your Toyota dealer to have this inspection performed. If you no longer own the vehicle or have changed your address, please complete the attached postage free card.

Thank you for driving a Toyota. We sincerely regret any inconvenience this may have caused you.

TOYOTA MOTOR SALES, U.S.A., INC.
Corporate Service Department

TECHNICAL INSTRUCTIONS: SSC #610

I. VEHICLE INSPECTION

- 1) Inspect the vehicle for applicable VIN range. Is the vehicle within the VIN range listed below?

MAKE AND MODEL	MODEL YEAR	VIN RANGE		PRODUCTION PERIOD
		VDS	NUMBER	
TOYOTA CELICA	1982	RA64L	0000039-0000273	AUGUST 1981 TO SEPTEMBER 1981
		RA64C RA64L	6000023-6003343	
TOYOTA SUPRA	1982	MA67L	0002021-0004015	AUGUST 1981 TO OCTOBER 1981
TOYOTA CRESSIDA	1982	MX62E MX62W	0029165-0031464	AUGUST 1981 TO SEPTEMBER 1981

Yes: Go to 2)

No: Inspection is complete. Vehicle is not affected by this campaign.

- 2) Is the vehicle equipped with cruise control?

Yes: Go to 3)

No: Inspection is complete. Vehicle is not affected by this campaign.

- 3) Check the left front door post for campaign completion label #610. Is the SSC #610 label present?

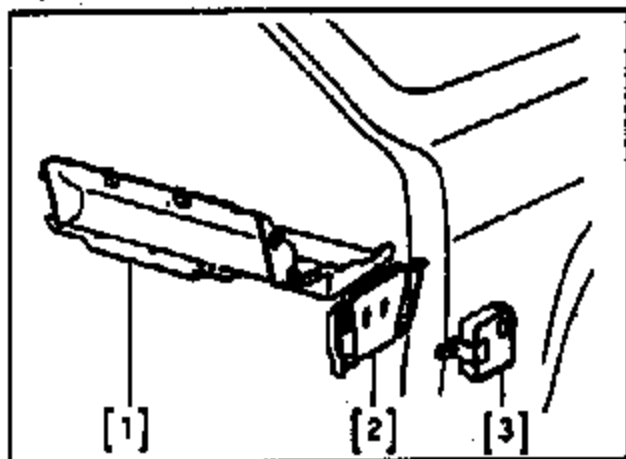
Yes: Campaign has been completed, no further action is required.

No: Go to II. CRUISE CONTROL COMPUTER REMOVAL PROCEDURE

II. CRUISE CONTROL COMPUTER REMOVAL PROCEDURE

- 1) Disconnect negative (-) battery cable terminal.

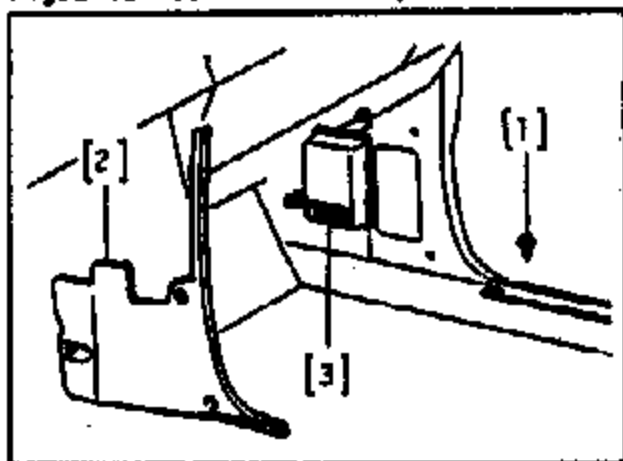
Fig.1 Cressida



- 2) CRESSIDA:

Remove the Finisher located under the glove box [1] (Figure 1 Cressida). Remove the trim cover from the cruise control computer [2] (Figure 1 Cressida).

Fig.2 Celica & Celica Supra



CELICA & CELICA SUPRA:

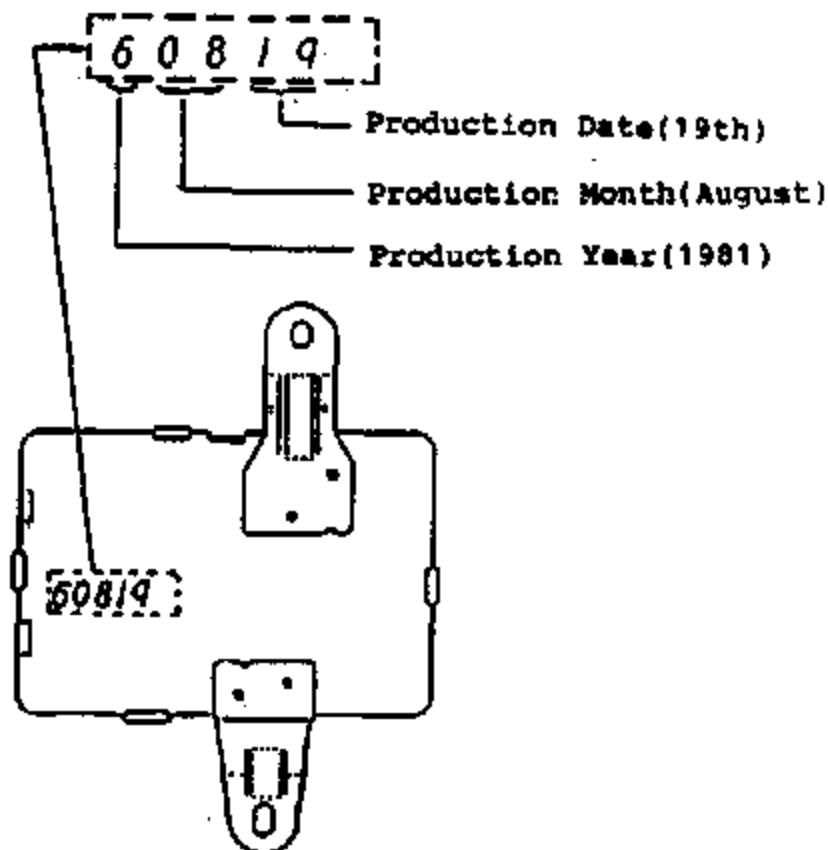
Remove the screw from the door protector finisher [1] (Figure 2 Celica & Celica Supra). Remove the kick panel finisher [2] (Figure 2 Celica & Celica Supra).

- 3) Disconnect the cruise control computer [3] connector.
- 4) Loosen the two retaining bolts from the cruise control computer.
- 5) Remove the cruise control computer.

III. CRUISE CONTROL COMPUTER INSPECTION PROCEDURE

Check the production lot number on the back of the cruise control computer.

PRODUCTION LOT NUMBER



If the Production lot number is:

60320 to 60819 (inclusive)	} Computer replacement is required go to IV. CRUISE CONTROL COMPUTER ORDER
60319 or lower 60820 or higher	} Computer replacement is not required go to V. CRUISE CONTROL COMPUTER INSTALLATION

IV. CRUISE CONTROL COMPUTER ORDER

If a replacement cruise control computer is required, place a critical type order through your facing Parts Distribution Center. TMS Parts supply will contact you within 24 hours requesting the VIN for the affected vehicle. The part will be released within 24 hours after verifying that the vehicle is within the specified range.

MODEL	PART NUMBER	PART NAME	QUANTITY
Cressida	88240-22081	Computer Assembly Speed Control	1
Celica and Celica Supra	88240-14140		1

V. CRUISE CONTROL COMPUTER INSTALLATION

Fig.1 Cressida

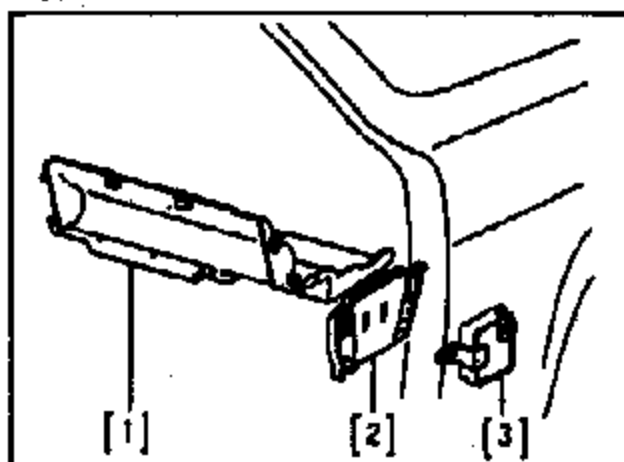
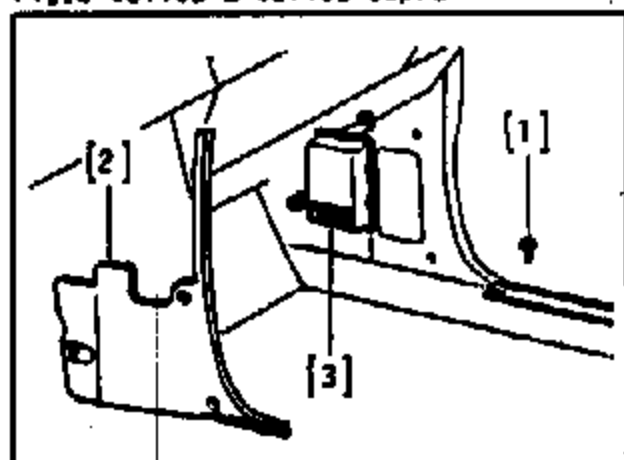


Fig.2 Celica & Celica Supra



- 1) Install the cruise control computer using the two retaining bolts. (NOTE: Reattach the ground wire to the retaining bolt)
- 2) Reconnect the computer connector.
- 3) Reinstall the trim panels;

CRESSIDA:

Reinstall the cruise control computer trim panel [2] and finisher [1] (Figure 1 Cressida).

CELICA & CELICA SUPRA:

Reinstall the kick panel finisher [2] and door protector finisher screw [1].

- 4) Reconnect the negative (-) battery cable terminal.

VI. CRUISE CONTROL SYSTEM OPERATION CHECK

After the installation of the cruise control computer, check for proper operation of the cruise control system as follows:

1) Inspect "SET" Function

With the vehicle traveling at a speed above 25 mph (40 km/h), check whether the vehicle speed will set to the desired speed by turning the control switch to "SET" position.

2) Inspect "ACCEL" Function

While the cruise control is set, check whether the vehicle accelerates by turning the control switch to "ACCEL" position and the vehicle speed will set to the increased speed when the control switch is released.

3) Inspect "COAST" Function

While the cruise control is set, check whether the vehicle decelerates by turning the control switch to "COAST" position and the vehicle speed is set to the decreased speed when the control switch is released.

Note: If the vehicle speed is down to less than 25 mph (40 km/h), the cruise control system will automatically cancel and the vehicle speed will not set.

4) Inspect Cruise Control Cancel Functions

Check whether the cruise control system is cancelled by the following operations.

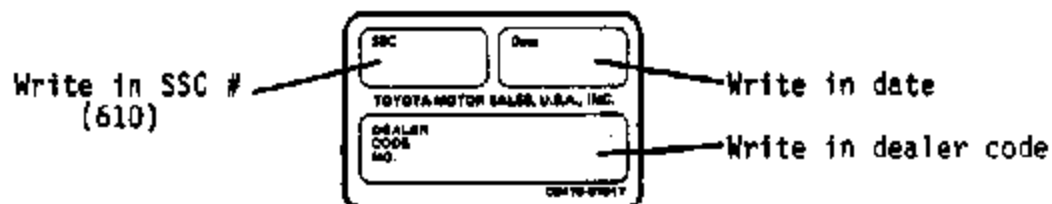
- a. Depressing the brake pedal
- b. Depressing the clutch pedal (manual transmission)
- c. Placing the selector lever in "N" position (automatic transmission)
- d. Slightly applying the parking brake
- e. Pushing the cancel switch (Celica and Celica Supra only)
- f. Turning off the main switch

5) Inspect "RESUME" Function

When the cruise control system is cancelled by any of the above 4a - 4e functions and the vehicle speed is more than 25 mph (40 km/h), check whether the vehicle resumes the speed set prior to cancellation by turning the control switch to "RESUME" position.

VII. COMPLETION LABEL.

Following the inspection or installation of the cruise control computer, a SSC completion label must be affixed to the left front door post near the door hinge.



Additional SSC completion labels (00410-01917) may be ordered through the non-parts system on a 1450 order form or through the TDN system.